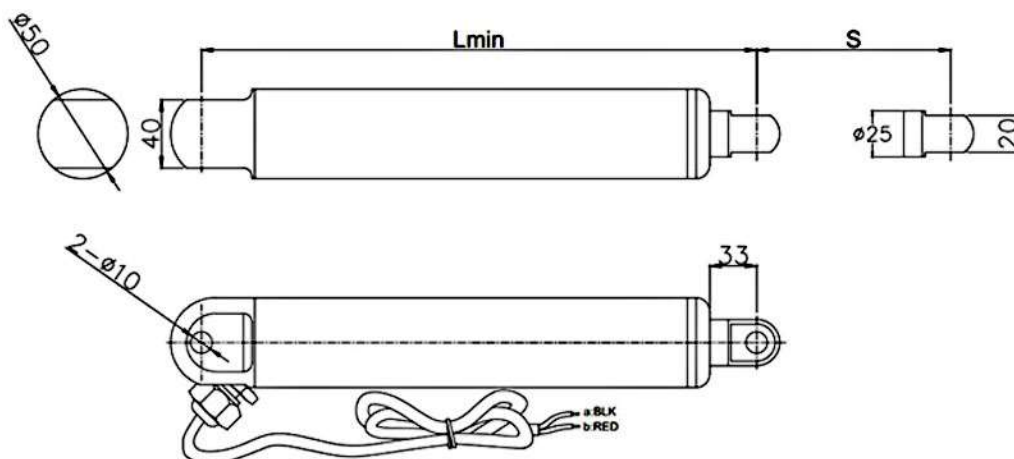


Specifications

Model	Rated Load (N)	Speed(mm/s) ±10%		Current (A)				IP Rating	Material
				12V		24V			
		No-load	Load	No-load	Load	No-load	Load		
SL-LA-50-A	1500	7.69	6.35	1.0	3.0	0.6	2.0	IP66	Aluminum Alloy/ Stainless Steel
SL-LA-50-B	3000	4.2	3.2	1.0	3.5	0.6	2.5		
SL-LA-50-C	5000	2.4	1.7	1.0	3.5	0.6	2.5		

Dimension



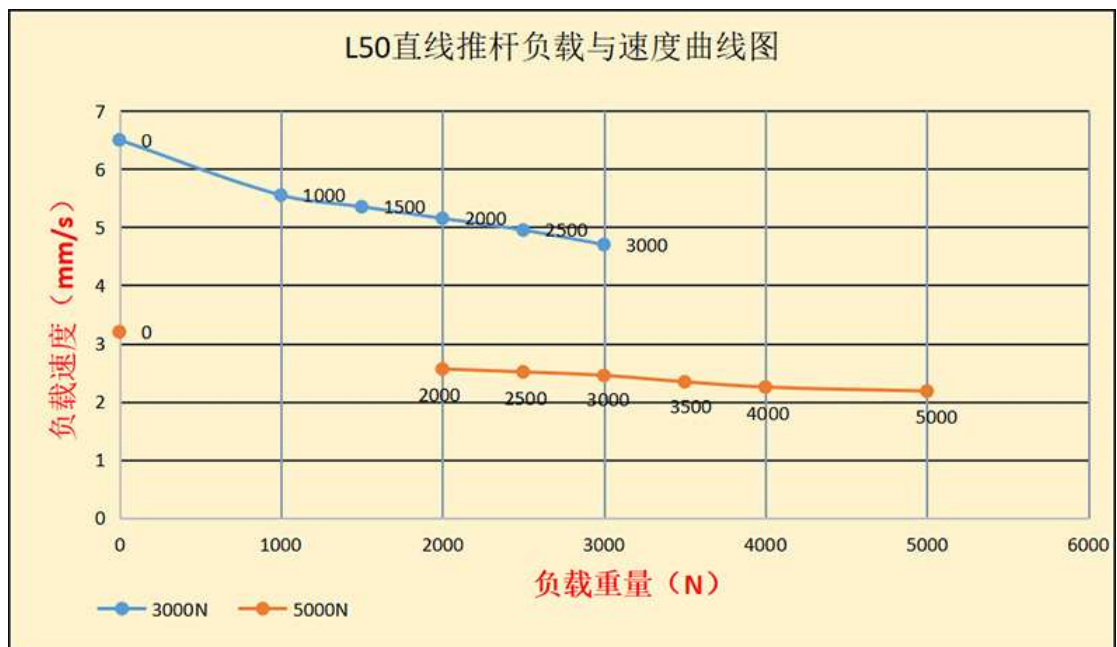
S (Stroke)	30≤S<400mm	400≤S<700mm	700≤S<1000mm
Lmin	S+315	S+365	S+415

Stroke	Close Length	Open Length
50mm	365mm	415mm
100mm	415mm	515mm
150mm	465mm	615mm
200mm	515mm	715mm
250mm	565mm	815mm
300mm	615mm	915mm
350mm	665mm	1015mm
400mm	765mm	1165mm
450mm	815mm	1265mm

Load vs. Current Curve Graph



Load vs Speed Curve Graph



Connector Options



U-shaped Connector



External Thread Connector



Disc Flange Connector



Milled Flat Connector



PHS Fisheye Connector



Arc Connector

Support

Email: sales@fandeei.com

T/WhatsApp: +8615902990387